

SUBMITTAL DATA SHEET	CH-24MSPHFC-230VI	CH-HYP24SPH230VO
-----------------------------	--------------------------	-------------------------

Job Name:
 Location:
 Engineer:
 Submitted to:
 Submitted by:
 Reference:

Date:
 Approval:
 Construction:
 Unit #:
 Drawing #:



PERFORMANCE AND EFFICIENCY

Cooling		Heating	
24,000 Btu/h		24,000 Btu/h	
SEER	20	HSPF Region IV	11.5
EER	11.5		

OPERATION TEMPERATURE RANGE

Indoor		Outdoor	
cooling	heating	cooling	heating
62~90°F	32~86°F	-22~122°F	-22~86°F

ELECTRICAL


Power supply	208-230V/ 60Hz, 1Ph
MCA	18 A
MFA	25 A

MCA: Minimum Circuit Ampacity

MFA: Max. fuse A

PIPING

Refrigerant piping Liquid side/Gas side	3/8 - 5/8 in
Max. refrigerant pipe length	164 ft
Max. difference in level	82 ft



This warranty should be registered on our web-site www.cooperandhunter.us within 60 days of installation. The warranty is only valid when installed by a Licensed HVAC Technician. A warranty period of Seven (7) years on compressor to the original registered end-user. A warranty period of Five (5) years on all parts to the original registered end user. Warranty applies only to products remaining in their original installation location.

INDOOR SPECIFICATION

Air Flow (Hi/Mi/Lo)	759/708/598 CFM
Noise Level (Hi/Mi/Lo)	53/48/42 dB(A)
Unit Dimension (WxDxH)	42.05x26.57x9.25 in
Net/Gross Weight	58.42/69.23 lb

OUTDOOR SPECIFICATION

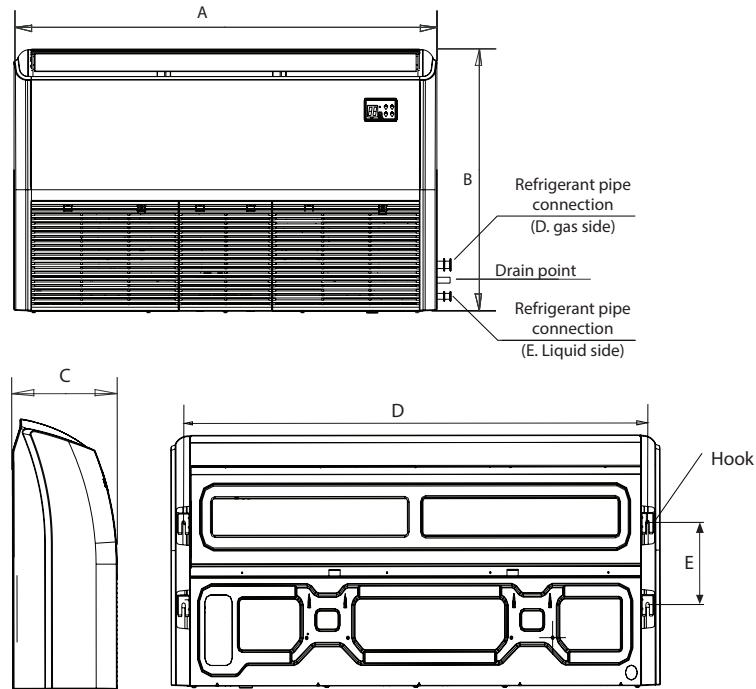
Air flow	2354 CFM
Noise Level	60 dB(A)
Dimension (WxDxH)	37.24x16.14x31.89 in
Net/Gross weight	135.58/148.81 lb
Refrigerant type/Quantity	R410A/91.7 oz
Refrigerant precharge	25 ft
Additional charge for each ft	0.32 oz

SUBMITTAL DATA SHEET

CH-24MSPHFC-230VI

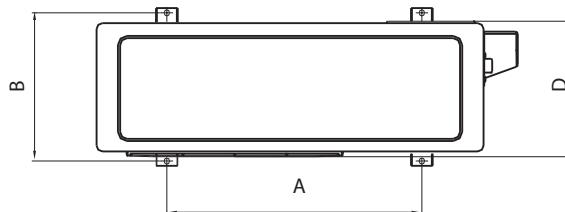
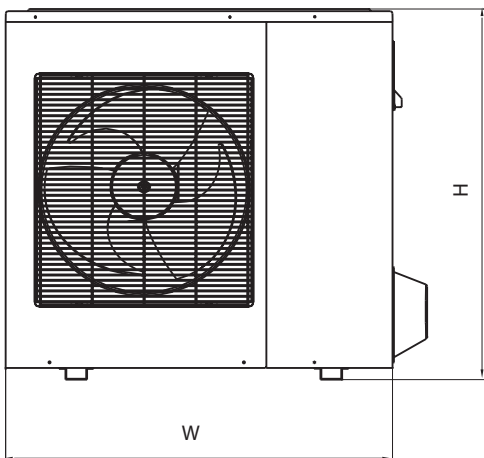
CH-HYP24SPH230VO

INDOOR UNIT



Unit Dimensions, in			Mounting Dimensions, in	
A	B	C	D	E
42.05	26.57	9.25	38.7	8.7

OUTDOOR UNIT



Outdoor Unit Dimensions WxDxH, in	Mounting Dimensions, in	
	Distance A	Distance B
37.24x16.14x31.89	26.5	15.87